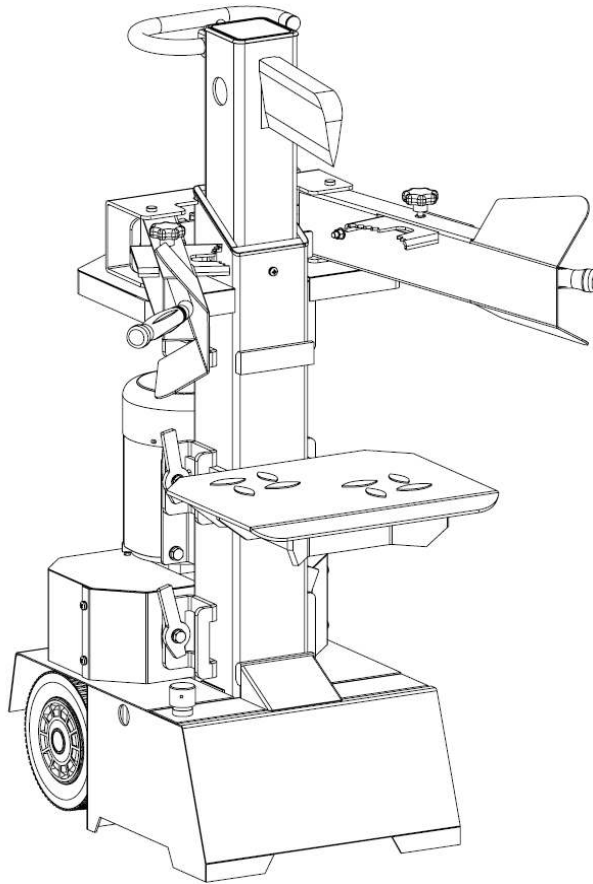


# VARI®



## FOR YOUR SAFETY

**READ AND UNDERSTAND THE ENTIRE MANUAL  
BEFORE OPERATING THE MACHINE**

MODEL: C061 (VARI 6 TON SUPER FORCE)  
SERIAL NUMBER:

Both model number and serial number may be found on the main label.  
You should record both of them in a safe place for future use.

**Save This Manual for Future Reference**

# VERTICAL LOG SPLITTER

Owner's Manual

## SAFETY WARNINGS & CAUTIONS

### SAFETY WARNINGS & INSTRUCTIONS

SYMBOL AFFIXED TO THE MACHINE

#### • UNDERSTAND YOUR LOG SPLITTER

Read and understand the owner's manual and labels affixed to the log splitter. Learn its application and limitations as well as the specific potential hazards peculiar to it.



#### • DRUGS, ALCOHOL AND MEDICATION

Do not operate the log splitter while under the influence of drugs, alcohol or any medication that could affect your ability to use it properly.

#### • AVOID DANGEROUS CONDITIONS

Always operate your log splitter on dry, solid, level ground. Never operate your log splitter on slippery, wet, muddy or icy surfaces. The location you choose should be free from any tall grass, brush or other interferences. There should be plenty of room for handling and help the operator stay alert. Keep your work area clean and well lighted. Cluttered areas invite injuries. To avoid tripping, do not leave tools, logs or other components lying around the work area. Do not use the log splitter in wet or damp areas or expose it to rain. Do not use it in areas where fumes from paint, solvents or flammable liquids pose a potential hazard.



#### • INSPECT YOUR LOG SPLITTER

Check your log splitter before turning it on. Keep guards in place and in working order. Form a habit of checking to see that keys and adjusting wrenches are removed from tool area before turning it on. Replace damaged, missing or failed parts before using it. Make sure all nuts, bolts, screws, hydraulic fittings, hose clamps, etc. are securely tightened. Always check the oil level in the hydraulic oil tank. Never operate your log splitter when it is in need of repair or is in poor mechanical condition.



#### • DRESS PROPERLY

Do not wear loose clothing, gloves, neckties or jewellery (rings, wrist watches). They can be caught in moving parts. Protective, electrically non-conductive gloves and non-skid footwear are recommended when working. Wear protective hair covering to contain long hair, preventing it from get caught in machinery.



- **PROTECT YOUR EYES AND FACE**

Any log splitter may throw foreign objects into the eyes. This can cause permanent eye damage. Always wear safety goggles. Everyday eyeglasses have only impact resistant lenses. They are not safety glasses.



- **EXTENSION CORDS**

Improper use of extension cords may cause inefficient operation of the log splitter, which can result in overheating. Be sure the extension cord is not longer than 10 m and its section is not less than 2.5 mm<sup>2</sup> to allow sufficient current flow to the motor. Avoid use of free and inadequately insulated connections. Connections must be made with protected material suitable for outdoor use.

- **AVOID ELECTRICAL SHOCK**

Check that the electric circuit is adequately protected and that it corresponds with the power, voltage and frequency of the motor. Check that there is a ground connection, and a regulation differential switch upstream. Ground the log splitter. Prevent body contact with grounded surfaces: pipes, radiators, ranges, and refrigerator enclosures. Never open the switch / plug box. Should this be necessary, contact a qualified electrician. Make sure your fingers do not touch the plug's metal prongs when plugging or unplugging the log splitter.

- **PREVENT FIRES**

Do not smoke or have open flames when operating or refilling the log splitter. Never operate the log splitter near a flame or candle. Oil is flammable and can explode.



- **KEEP BYSTANDERS AWAY**

Allow only one person to load and operate the log splitter. Always keep bystanders, including visitors, children and pets away from the work area, especially when the log splitter is under operation. Only the operator should stand near the machine and only within the safe operating area prescribed in this manual. Never use another people to help you with freeing jammed log. No one under the age of 16 should be allowed to operate the log splitter. Any individual under the age of 18 should have the necessary training, skills to perform the functions properly and safely and should always be under the supervision of adult.



- **INSPECT YOUR LOG**

Never attempt to split logs containing nails, wire or debris. Always make sure that both ends of the log you are splitting are cut as square as possible. This will prevent the log from sliding out of position while under pressure. Branches must be cut off the trunk.

- **DON'T OVERREACH**

Keep proper footing and balance at all times. Never stand on log splitter. Serious injury could occur if the tool is tipped or if the cutting tool is unintentionally contacted. Do not store anything above or near the log splitter where anyone might stand on the tool to reach it.

- **AVOID INJURY FROM UNEXPECTED ACCIDENT**

Do not straddle or reach across the splitting area when operating the log splitter. Never pile logs to be split in a manner that will cause you to reach across the log splitter. Only use your hands to operate the control levers. Never use your foot, knee, a rope or any other extension device. Always pay full attention to the movement of the wedge ram. Never attempt to load your log splitter while the ram is in motion. Keep hands out of the way of all moving parts. Never try to split two logs on top of each other. One of them might fly up and hit you.



- **PROTECT YOUR HANDS**

When the ram of the log splitter is in the return mode, keep your hands off the machine – the log splitter is designed to automatically stop when the cylinder is full retracted. Keep your hands away from splits and cracks which open in the log. They may close suddenly and crush or amputate your hands. Do not remove jammed logs with your hands.



- **DON'T FORCE TOOL**

It will do a better and safer job at its design rate. Don't use log splitter for a purpose for which it was not intended. Do not, under any circumstances, alter your log splitter. This equipment was designed and engineered to be used in accordance with the operating instructions. Altering the equipment, or using the equipment in such a way as to circumvent its design capabilities and capacities, could result in serious or fatal injury and will void the warranty. Never try to split logs larger than those indicated in the specifications table. This could be dangerous and might damage the machine.

- **NEVER LEAVE TOOL RUNNING UNATTENDED**

Don't leave tool until it has come to a complete stop.

- **DISCONNECT POWER**

Unplug when not in use, before making adjustments, changing parts, cleaning or working on the log splitter. Consult technical manual before servicing.



- **PROTECT THE ENVIRONMENT**

Take used oil to an authorized collection point or follow the stipulations in the country where the log splitter is used. Do not discharge into drains, soil or water.



- **MAINTAIN YOUR LOG SPLITTER WITH CARE**

Always clean the unit after each use. Keep the log splitter clean for best and safest performance. Follow instructions for lubricating. Inspect all hydraulic seals, hoses and couplers for leaks prior to use. Control levers and power switch must be kept clean, dry and free from oil and grease at all times.

- **MAKE THE WORKSHOP CHILDPROOF**

Lock the shop. Store the log splitter away from children and others not qualified to use it.

## TABLE OF CONTENTS

|   |    |
|---|----|
| SAFETY WARNINGS & CAUTIONS .....                                      | 2  |
| APPLICATION CONDITIONS.....   | 6  |
| SPECIFICATIONS.....   | 6  |
| ELECTRICAL REQUIREMENTS.....  | 6  |
| UNPACKING .....   | 7  |
| CONTENTS OF THE SHIPPING CONTAINER.....                               | 7  |
| SET UP AND PREPARATION FOR OPERATION .....                            | 8  |
| DELIVERING LOG SPLITTER TO WORK SITE .....                            | 9  |
| LOG SPLITTER OPERATION.....   | 9  |
| REPLACING HYDRAULIC OIL.....  | 11 |
| SHARPENING THE WEDGE .....  | 12 |
| TROUBLESHOOTING.....  | 12 |
| WIRING DIAGRAM, PLUMBING DIAGRAM .....                                | 13 |
| PART LIST.....  | 14 |
| DISPOSAL OF PACKAGING AND MACHINE AFTER THE END OF SERVICE LIFE ..... | 16 |
| INSTRUCTIONS FOR ORDERING SPARE PARTS .....                           | 16 |
| ADDRESS OF THE MANUFACTURER .....                                     | 17 |
| ADDRESS OF THE IMPORTER AND DISTRIBUTOR.....                          | 17 |

## APPLICATION CONDITIONS

This log splitter is designed for operating under ambient temperatures between +5°C and +40°C and for installation at altitudes not more than 1000 m above M.S.L. The surrounding humidity should be less than 50 % at 40°C. It can be stored or transported under ambient temperatures between -25°C and +55°C.

## SPECIFICATIONS

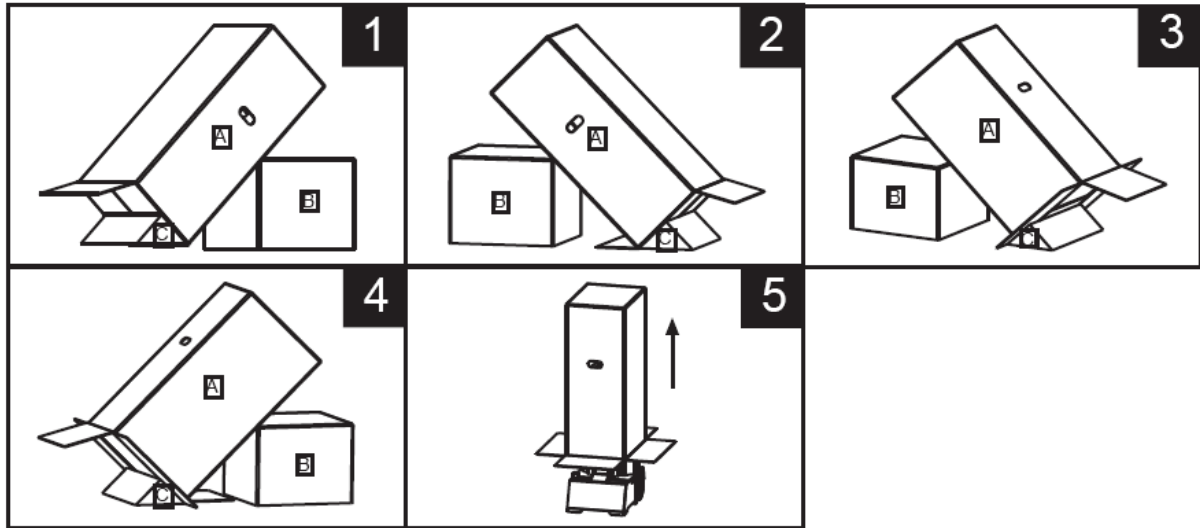
|                               |  |                        |
|-------------------------------|--|------------------------|
| <b>Model</b>                  | <b>C061</b>                                      |                        |
| <b>Trade Name</b>             | <b>VARI 6 TON SUPER FORCE</b>                    |                        |
| <b>Motor</b>                  | 230 V ~ 50 Hz 3000 W IP54                        |                        |
| <b>Log Size Capacity</b>      | <b>Diameter</b>                                  | 12 – 32 cm             |
|                               | <b>Length</b>                                    | 104 cm / 78 cm / 52 cm |
| <b>Maximum Force</b>          | 6 t  |                        |
| <b>Hydraulic Pressure</b>     | 19 MPa   |                        |
| <b>Hydraulic Oil Capacity</b> | 5 l  |                        |
| <b>Ram Travel</b>             | 480 mm   |                        |
| <b>Forward Speed</b>          | 3.9 cm/sec.                                      |                        |
| <b>Retract Speed</b>          | 14.5 cm/sec.                                     |                        |
| <b>Noise Level</b>            | 80.1 dBA under no load; 92.5 dBA under full load |                        |
| <b>Overall Sizes</b>          | <b>Length</b>                                    | 83 cm                  |
|                               | <b>Width</b>                                     | 93 cm                  |
|                               | <b>Height</b>                                    | 147 cm                 |
| <b>Weight</b>                 | 115 kg   |                        |

## ELECTRICAL REQUIREMENTS

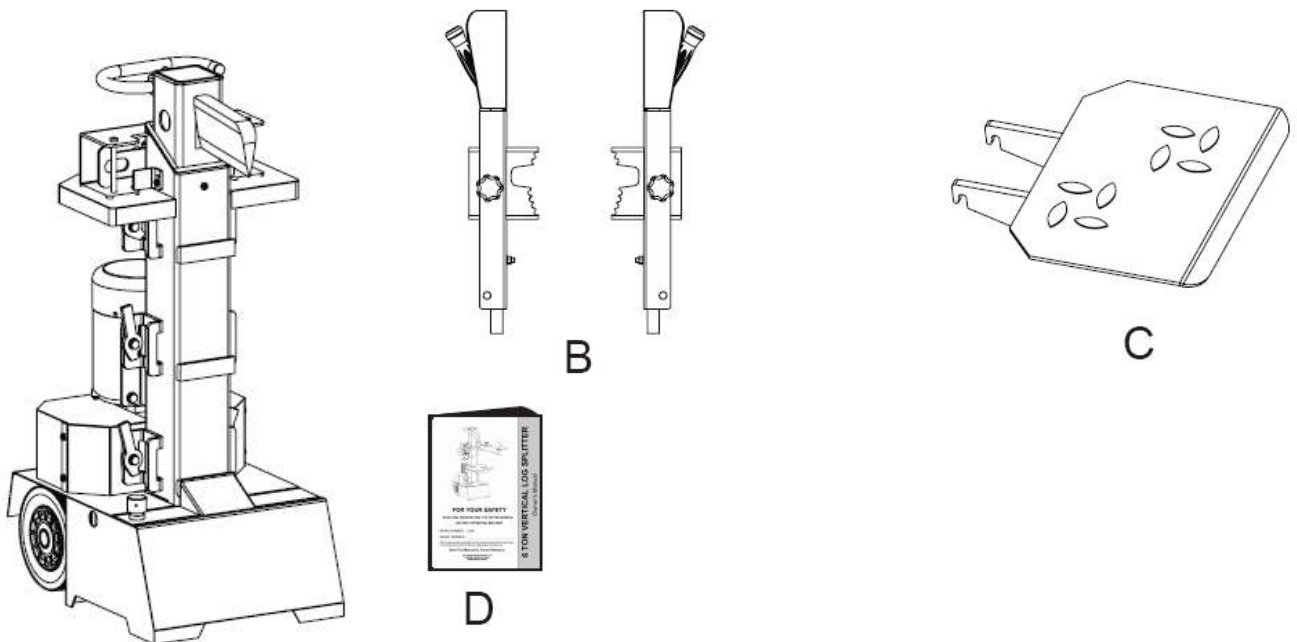
With 230 Volt / 50Hz motor, the log splitter should be connected to standard 230V ± 10 % / 50Hz ± 1 Hz electrical supply which has protection devices of under-voltage, over-voltage, over-current as well as a residual current device (RCD) with maximum residual current rated at 0.03 A. Electrical connection rubber cables must comply with EN60245, which is always marked with symbol H 07 RN. Cables should be identified, as it is a legal requirement.

## UNPACKING

At least 2 people are required to unpack the log splitter package. Take the following steps to put the Log Splitter on the ground by tipping every side of the carton by 45 degrees. Make sure to put Block (B) to support the Log Splitter Package (A) at the point a little higher than the middle. The other side of Block (B) shall be against steady object, such as a wall. Wedge (C) shall be arranged under the tipped Log Splitter Package (A) at every step to avoid slipping. Then remove the carton off the Log Splitter.



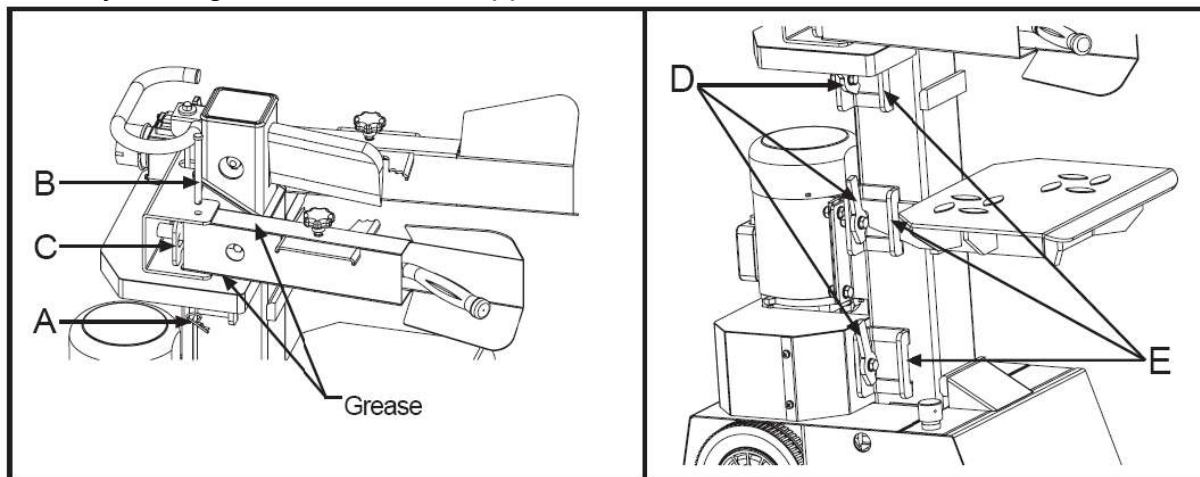
## CONTENTS OF THE SHIPPING CONTAINER



|                                      |        |
|--------------------------------------|--------|
| A. Log Splitter Frame.....           | 1 set  |
| B. Control Lever and Guard Assy..... | 2 sets |
| C. Removable Support Table.....      | 1 pc   |
| D. Owner's Manual.....               | 1 pc   |

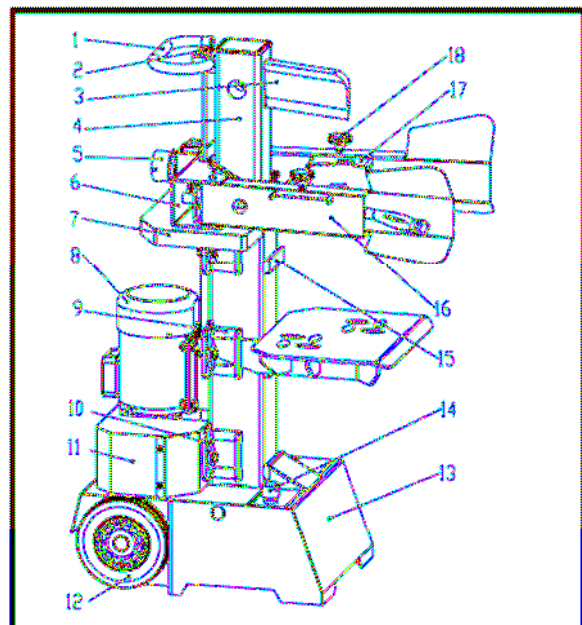
## SET UP AND PREPARATION FOR OPERATION

1. Pull Spring Pin (A) to remove the Lock Pin (B). Apply a thin coat of grease to both surfaces of the Control Lever Guard as illustrated. Insert the Control Lever and Guard Assy. and make sure the Control Lever End goes into the slot of Connection Bracket (C). Lock the Control Lever and Guard Assy. down with the Lock Pin (B) and Spring Pin (A). Follow the same steps to install the other Control Lever and Guard Assy. on the other side.
2. Three installation positions are available for the Support Table for different splitting length. At every installation position, Lock Down Hooks (D) are available. Insert the Support Table in the selected Brackets (E). Turn the Lock Down Hooks (D) on both sides by 90 degrees to lock the Support Table down.



3. Familiarize yourself with the controls and features of this log splitter in the illustrations.

1. Transport Handle
2. Ram Travel Adjusting Rod
3. Split Wedge
4. Ram
5. Plug & Switch
6. Control Levers Connection Bracket
7. Top Motor Shield
8. Motor
9. Side Bracket for Support Table
10. Table Lock Down Hook
11. Base Cover
12. Wheels
13. Base
14. Oil Tank Cover / Air Bleeder
15. Front Bracket for Support Table
16. Control Lever Guard
17. Adjustable Log Holder
18. Log Holder Adjusting Knob

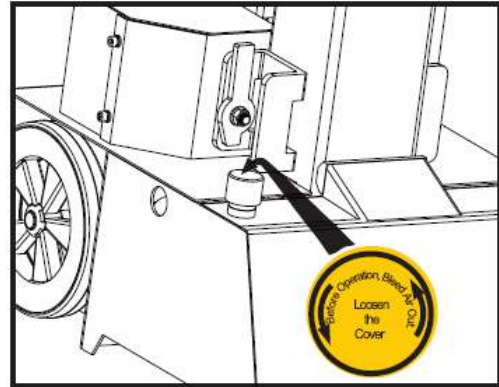




Bleed the air out of the hydraulic system before starting the log splitter. The cover of the hydraulic oil tank should be loosened by some rotations until air can go in and out of the oil tank smoothly.

Airflow thru the oil tank filler should be detectable during the operations.

Before moving the log splitter, make sure the cover of the oil tank is tightened to avoid oil leaking from this point.



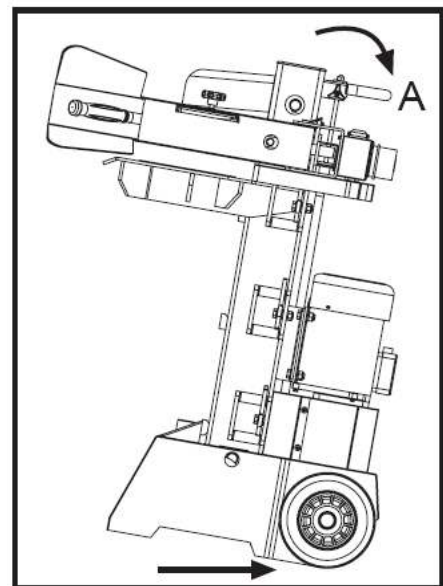
**FAILED TO LOOSEN THE OIL TANK COVER WILL KEEP THE SEALED AIR IN HYDRAULIC SYSTEM BEING COMPRESSED AFTER BEING DECOMPRESSED. SUCH CONTINUOUS AIR COMPRESSION AND DECOMPRESSION WILL BLOW OUT THE SEALS OF THE HYDRAULIC SYSTEM AND CAUSE PERMANT DAMAGE TO THE LOG SPLITTER.**

## DELIVERING LOG SPLITTER TO WORK SITE

The log splitter is equipped with 2 wheels for minor moving. To move the log splitter to the work site, grip the handle (A) to tilt the log splitter slightly after making sure the oil tank cover is tightened.



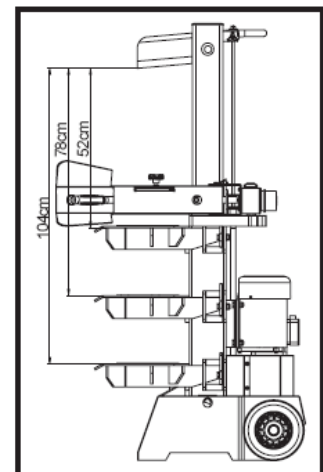
**If using a crane, lay hoist sling around the housing. Never try to lift the log splitter at the Handle (A).**



## LOG SPLITTER OPERATION

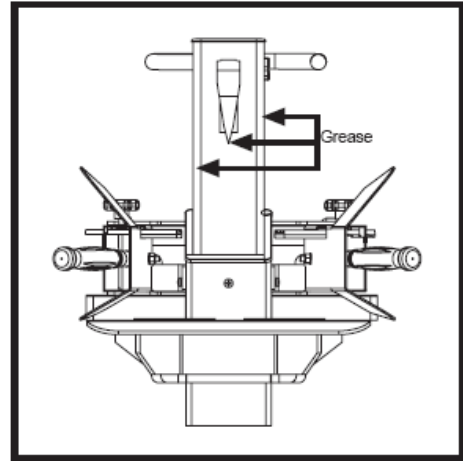
1. Plan your work site. Work safely and save effort by planning your work beforehand. Have your logs positioned where they can be easily reached. Have a site located to stack the split wood or load it onto a nearby truck or another carrier.

2. Prepare the logs for splitting. This splitter accommodates logs up to 104 cm in length. When cutting up limbs and large sections, do not cut sections any longer than 100 cm. With 3 support table positions for splitting for 52 cm, 78 cm and 104 cm in length, insert the support table in position nearest the log length, and secure the support table with the locking hook.





**Do not attempt to split green logs. Dry, seasoned logs split much more easily, and will not jam as frequently as green wood.**



3. Applying a thin coat of grease to the surfaces of the ram before operation will lengthen the durability of the ram.

4. Route the power cord. Route the cord from the power source to the splitter in a way that safeguards against tripping on the cord or the cord becoming damaged during the work session. Protect the power cord from impacts, pulling or corrosive materials.

5. Open the Air Bleed. Loosen the oil tank cover a few turns whenever the splitter is being used. Retighten this cover when you finish.

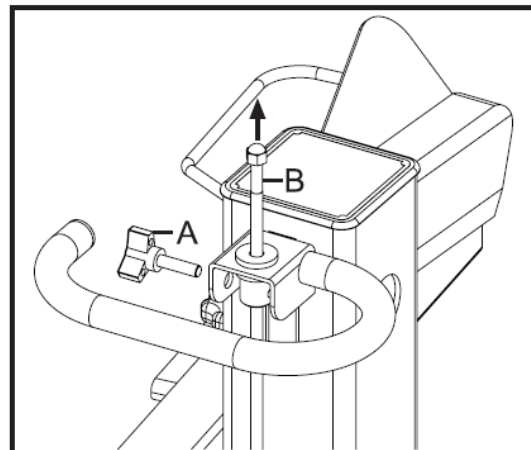
6. While operating under extremely low temperature, keep the log splitter running under no load for 15 minutes to preheat the hydraulic oil.

7. Before initial operation, check to be sure the two-handed operation is properly functioning by following steps:

- (1) Lower both control levers, splitting wedge lowers to approx. 5 cm above the take above the highest table position.
- (2) Release either of the levers; splitting wedge should remain in the original position.
- (3) Release both levers; the ram should rise to the highest position automatically.

8. To set wedge ram stroke, take the following steps:

- (1) Move splitting wedge to desired position. The upper position of the ram wedge travel should be about 3~5 cm over the logs to be split.
- (2) Release a control lever or switch off motor.
- (3) Release the Setscrew (A) with L key. Raise Adjusting Rod (B) until Adjusting Rod (B) is started to be stopped by the spring inside. Tighten the Setscrew (A).
- (4) Release both control levers or switch on motor.
- (5) Check upper position of splitting wedge.

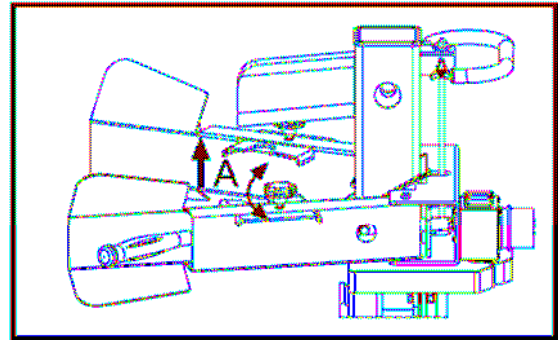


9. Place log onto splitter. Place the log onto the support table vertically and sitting flat on the support table. Be sure the wedge and support table will contact the log squarely on the ends. Never attempt to split a log at an angle.

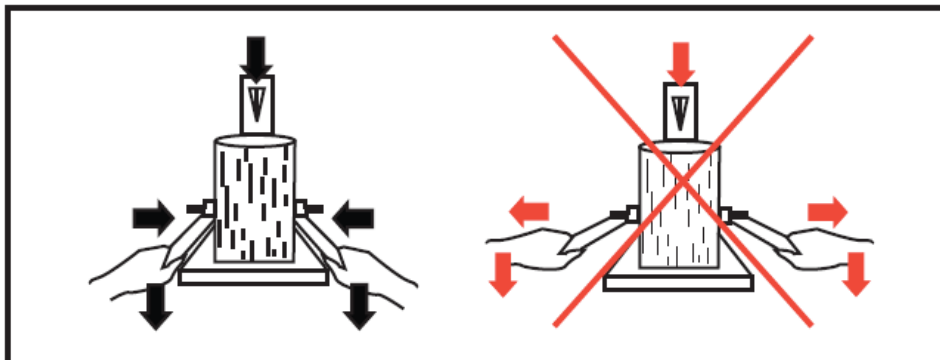


Break log in the direction of its growing grain. Do not place log across the log splitter for splitting. It may be dangerous and may seriously damage the machine.

10. Adjust the Log Holders (A) according to the diameter of the log to obtain most comfortable Control Levers angle.



11. Hold the log with clamping brackets closely in the control lever guards. Lower levers to start the splitting. Releasing either lever stops the motion of the splitting wedge. Releasing both handles returns the splitting wedge to the upper position.



12. Stack as you work. This will provide a safer work area, by keeping it uncluttered, and avoid the danger of tripping, or damaging the power cord.



Accumulated split wood and wood chips can create a hazardous work environment. Never continue to work in a cluttered work area which may cause you to slip, trip or fall.

## REPLACING HYDRAULIC OIL

The hydraulic system is a closed system with oil tank, oil pump and control valve. Check oil level regularly with dipstick. Low oil levels can damage the oil pump. Oil Level should measure approx. 1 ~ 2 cm lower than the upper surface of the oil tank. The oil should be completely changed once a year.

- Make sure moving parts are stopped and the log splitter is unplugged.
- Make sure that no dirt or debris finds its way into the oil tank.
- Collect used oil and responsibly recycle.
- Following an oil change, activate the log splitter a few times without actually splitting.

**Following hydraulic oils or equivalent are recommend for the log splitter's hydraulic transmission system:**

SHELL Tellus 22  
 MOBIL DTE 11  
 ARAL Vitam GF 22  
 BP Energol HLP-HM 22

## SHARPENING THE WEDGE

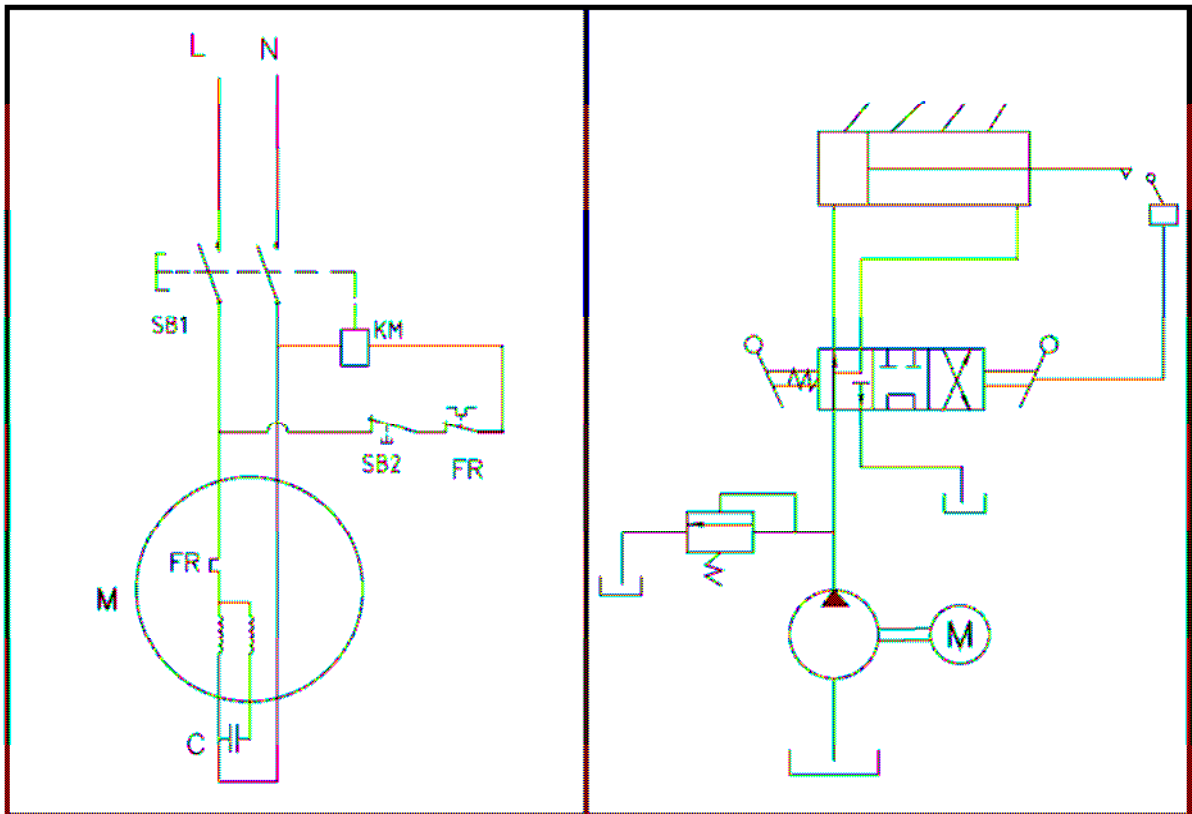
This log splitter is equipped with reinforced splitting wedge which blade is specially treated. After long periods of operation, and when required, sharpen the wedge using a fine-toothed file removing any burrs or flat spots on the edge.

## TROUBLESHOOTING

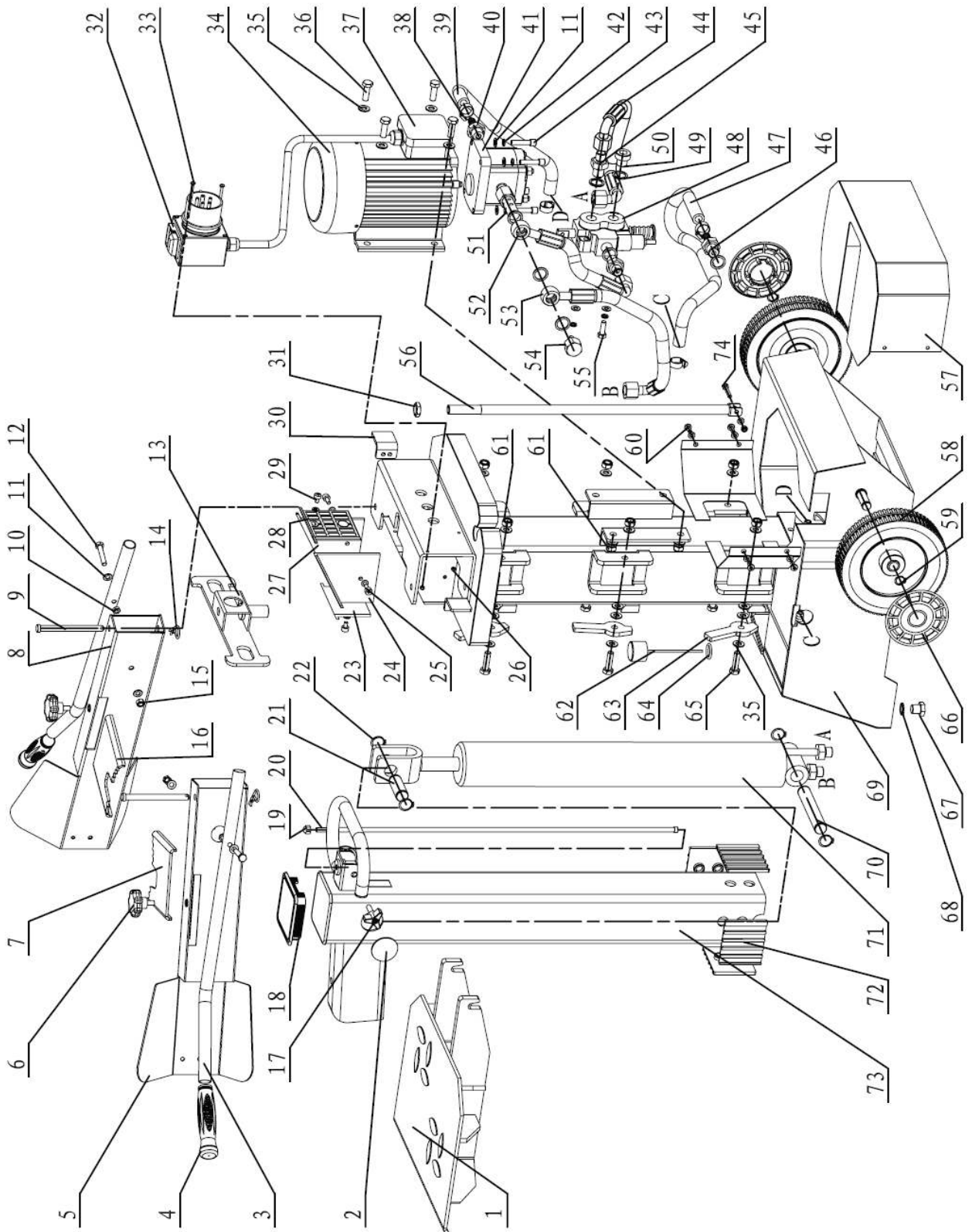
| PROBLEM   | PROBABLE CAUSE   | REMEDY SUGGESTED   |
|---|--|--|
| Motor does not start.                                 | No current in the socket.                                    | Check mains fuse.  |
|   | Electrical extension line defective.                         | Unplug, check and replace.                                   |
|   | Switch or capacitor defective.                               | Have checked by electrician.                                 |
| Incorrect motor rotation direction.                   | Incorrect connection.  | Change pole-switching device in the plug with a screwdriver. |
|   |  | Reverse polarity by electrician.                             |
| Log Splitter does not work while motor running.       | Valve is not opened owing to the connection parts loosening. | Check and tighten the parts.                                 |
|   | Control Levers or Connection parts bent.                     | Repair the bent parts.                                       |
|   | Lower hydraulic oil level.                                   | Check and refill hydraulic oil.                              |
| Log Splitter works with abnormal vibration and noise. | Lower hydraulic oil level.                                   | Check and refill hydraulic oil.                              |

**WIRING DIAGRAM**

**PLUMBING DIAGRAM**



## PART LIST



| Pos. | Part name                   | Ord. No. | Pos. | Part name                   | Ord. No. |
|------|-----------------------------|----------|------|-----------------------------|----------|
| 1    | Work Table                  | 201500   | 38   | Hose Clamp                  | 201523   |
| 2    | Round Cover                 | 201501   | 39   | Intake Hose                 | 201524   |
| 3    | Operate Handle              | 201502   | 40   | Pump Intake Nozzle          | 201525   |
| 4    | Lever Handle                | 201503   | 41   | Gear Pump                   | 201526   |
| 5    | Right Guard Assy.           | 201504   | 42   | Spring Washer 8             | -        |
| 6    | Knob                        | 201505   | 43   | Inner Hexagonal Screw M8x35 | -        |
| 7    | Clamping Fork 2 (Right)     | 201506   | 44   | High Pressure Oil Hose 3    | 201527   |
| 8    | Left Guard Assy.            | 201507   | 45   | Valve Tube Nozzle           | 201528   |
| 9    | Control Lever Shaft         | 201508   | 46   | Valve Injection Nozzle      | 201529   |
| 10   | Thin Nut                    | -        | 47   | Oil Return Pipe             | 201530   |
| 11   | Washer 8                    | -        | 48   | CA Valve                    | 201531   |
| 12   | Hex Bolt                    | -        | 49   | Washer Groupware 20         | -        |
| 13   | Control Link Plate          | 201509   | 50   | Valve Plug                  | 201532   |
| 14   | Fork                        | -        | 51   | T-Connector, Tape           | 201533   |
| 15   | Locknut M8                  | -        | 52   | High Pressure Oil Hose 1    | 201534   |
| 16   | Clamping Fork 1 (Left)      | 201510   | 53   | High Pressure Oil Hose 2    | 201535   |
| 17   | Knob                        | 201511   | 54   | T-Plug, Nut                 | 201536   |
| 18   | Square Cover                | 201512   | 55   | Bolt M8x25                  | -        |
| 19   | Nut                         | -        | 56   | Draw Sleeve                 | 201537   |
| 20   | Draw Rod                    | 201513   | 57   | Pump Guard                  | 201538   |
| 21   | Pin                         | 201514   | 58   | Wheel                       | 201539   |
| 22   | Circlip 22                  | -        | 59   | Circlip 16                  | -        |
| 23   | Plastic Insert 1            | 201515   | 60   | Screw M6x16                 | -        |
| 24   | Plastic Insert 4            | 201516   | 61   | Locknut M10                 | -        |
| 25   | Inner Hexagonal Screw M6x16 | -        | 62   | Cap                         | 201540   |
| 26   | Locknut M4                  | -        | 63   | Lock-out Lever              | 201541   |
| 27   | Plastic Insert 2            | 201517   | 64   | O-Ring 32x3.55              | -        |
| 28   | Plastic Insert 3            | 201518   | 65   | Bolt M10x35                 | -        |
| 29   | Inner Hexagonal Screw M6x10 | -        | 66   | Wheel Cover                 | 201542   |
| 30   | Stop Limit Plate            | 201519   | 67   | Bolt M16x25                 | -        |
| 31   | Thin Nut M16                | -        | 68   | Washer Groupware 16         | -        |
| 32   | Switch                      | 201548   | 69   | Upright Tube Weldment       | 201543   |
| 33   | Screw M4x6                  | -        | 70   | Lock Shaft                  | 201544   |
| 34   | Motor                       | 201549   | 71   | C3 Cylinder                 | 201545   |
| 35   | Washer 10                   | -        | 72   | Sliding Plate               | 201546   |
| 36   | Bolt M10x30                 | -        | 73   | Wedge Bracket Weldment      | 201547   |
| 37   | Junction Box                | 201522   | 74   | Bolt M6x30                  | -        |

## DISPOSAL OF PACKAGING AND MACHINE AFTER THE END OF SERVICE LIFE

After unpacking the machine, you are obliged to provide for the disposal of packaging material with taking into account the use of secondary raw materials according to Waste Law No. 185/2001 Gaz. (and its amendments) and with respect to the decrees of local town or municipal authorities.

The following procedure is recommended for machine disposal after the end of its service life:

1. Dismount all parts from the machine that can still be used.
2. Dismount plastic machine parts and parts made of non-ferrous metals. The dismantled machine remainder and the dismantled parts are to be disposed according to Waste Law No. 185/2001 Gaz. (and its amendments) and with respect to the decrees of local town or municipal authorities.
3. Regarding waste from the electrical device, use the opportunity of **return buy-out** in the shop, where you purchased the device (**points 1 and 2 are not valid in this case**).
4. The machine is in accordance with the RoHS Directive (2002/95/EC, 2002/96/EC).
5. The product is in accordance with the requirements of the above-mentioned EC Directive regarding the quantities of forbidden dangerous substances.



**This pictograph means that the product was introduced on the market after 13<sup>th</sup> September 2005 and shall not be disposed to a waste container or a dustbin.**

## INSTRUCTIONS FOR ORDERING SPARE PARTS

The following data are to be used for an easier identification when ordering the spare parts:

1. Machine type, engine type, machine serial number and year of manufacture;
2. Ordering number given by manufacturer and its name in the part list;
3. Number of ordered pieces separately for each item;
4. Precise address, telephone number, fax number or e-mail address;
5. Should you be uncertain about the correct identification of the component, send the damaged component either to the nearest service shop or directly to the manufacturer;
6. All components should be ordered in the nearest service shop or at your dealer's.

In the case of any confusions concerning the spare parts or technical issues, the VARI a.s. commercial, customer-service or technical departments are prepared to answer all your inquiries.



**ADDRESS OF THE MANUFACTURER**

Lawn & Garden Products (Laizhou) Co., Ltd., Hongxiang Industrial Zone, Laizhou,  
Shandong 261428, P.R.China

**ADDRESS OF THE IMPORTER AND DISTRIBUTOR**

|                     |           |   |
|---------------------|-----------|---|
| VARI,a.s.           | phone:    | (+420) 325 607 111                                    |
| Opolanska 350       | fax:      | (+420) 325 607 264                                    |
| Libice nad Cidlinou |           | (+420) 325 637 550                                    |
| CZECH REPUBLIC      | e-mail:   | <a href="mailto:vari@vari.cz">vari@vari.cz</a>        |
| 289 07              | internet: | <a href="http://www.vari.cz/">http://www.vari.cz/</a> |

**EC DECLARATION OF CONFORMITY**

**according to Act No. 22/1997 Gaz.**  
(as amended)

**1 Importer:**

**VARI,a.s. , Opolanská 350, 289 07 Libice nad Cidlinou, Czech Republic**  
Registration No.: 00660574 , VAT No.: CZ00660574 . Registered in the Company Register at KOS Prague on 29 January 1991  
Section B, Insert 499.

issue the following statement at their own responsibility:

**2 Description of the electrical device:**

| Trade mark     | Name         | Type                   | Serial nos.   |
|----------------|--------------|------------------------|---------------|
| VARI           | Log splitter | VARI 6 TON SUPER FORCE | 000001-999999 |
| Input          | 3000W/230V   | Weight                 | 115 kg        |
| Pressure force | 6 tons       | Log length             | up to 1040 mm |

The VARI 6 TON SUPER FORCE log splitter is intended for simple splitting of wood logs. A ram pushes the log on a sharp wedge which breaks the wood log. This log splitter is intended for logs with a diameter of up to 320 mm. The machine drive is electro hydraulic.

**3 Regulations according to which the conformity was assessed:**

NV No. 17/2003 Gaz. (73/23/EEC), NV No. 18/2003 Gaz. (89/336/EEC), NV No. 24/2003 Gaz. (98/37/EC)  
(all NVs and directives as amended)

**4 Authorized person which made the measurements:**

TÜV Rheinland Group, 6F, Flat B, Fu Tai Plaza, 18 Hong Kong Middle Road, Qingdao 266071, P.R. China  
Test reports: 17701575001, 17701592001

**5 Authorized person which issued the certificates:**

TÜV Rheinland Product Safety GmbH – Am Grauen Stein – D-51105 Cologne  
Certificates: AE500806050001, AN500801510001, AM500801530001, S50080149

**6 Harmonised technical standards and technical specifications used:**

EN60204-1:1997, EN609-1:1999+A1:2003, EN55014-1:2000+A1+A2,  
EN55014-2:1997+A1, EN61000-3-2:2000+A2, EN61000-3-11:2000

**7 Last two digits of the year when the product was marked with CE: 06**

**8 Technical documentation file No. in which the product's compliance with the regulations is assessed: STD/072/2006**

**9 We declare that:** This machine, as defined with the above-mentioned data, complies with the basic requirements of the Government Decree (NV) and technical regulations and is safe under conditions of usual or by the manufacturer specified use. Furthermore precautions have been made to guarantee conformity of all products introduced on the market with the technical documentation and requirements of the technical regulations. The machine is safe under conditions of usual or specified use.

Place of issue of the declaration of conformity: Libice nad Cidlinou Date: 6.6.2007

Name, surname and function of the person authorized to sign this EC Declaration of Conformity:  
Jiří BELINGER, Director General (CEO) and Chairman of the Board of Directors VARI,a.s.

Signature:



Stamp:

**VARI®** - Konstrukce  
Opolanská 350  
289 07 Libice nad Cidlinou  
DIČ: CZ00660574

**LETTER OF GUARANTEE****To be completed by importer**

Name of product                   **Log splitter**  
 Model                               **VARI 6 TON SUPER FORCE**  
 Serial number .....  
 Engine serial number .....  
 Warranty (months) ..... **24** .....  
 Output control .....

The above product was passed over to the purchaser without any defects including the appropriate commercial and technical documentation and accessories. The purchaser was duly informed about the principles of sound operation and technical maintenance of the product.

**To be completed by seller**

Name of purchaser .....  
 Address of purchaser .....  
 Purchaser's signature .....  
 Place of sale .....  
 Date of sale .....

Seller's stamp and signature .....

**GUARANTEE CONDITIONS****Subject of warranty:**

Warranty relates to the basic product including accessories supplied by VARI a.s.

**Warranty period:**

Warranty period for the product and accessories supplied with the product is 24 months from the date of sale to the purchaser. Time from the enforcement of liability for defects to the date when the user was obliged to take over the thing after the end of repair is not included in the warranty period.

The seller is obliged to give the purchaser a receipt confirming the date of the right exercise and repair and the time of its duration. If the product is exchanged, the warranty period starts running again from the date on which the purchaser took over the new product. If it is a whole assembly to be replaced, the warranty period starts running for the given assembly again from the date of product take-over.

**Scope of manufacturer's liability:**

Importer bears responsibility for the product having properties usual for the kind of the product in question and specified parameters for the whole period of warranty. The importer does not answer for defects of the product resulting from current wear or from the product's use for purposes other than specified.

**Warranty extinction:****Claim of warranty extincts if:**

- a) the product was not used and maintained as specified in the Operating manual, or it was damaged by any unauthorized operation by the user;
- b) the product was used in conditions or for purposes other than specified;
- c) the letter of guarantee for the product cannot be presented;
- d) data filled in the original product's documentation by the manufacturer, seller or service organization were intentionally falsified;
- e) a part of the product was replaced with a non-original component;
- f) the product was damaged or excessively worn due to improper maintenance;
- g) the product suffered an accident or was damaged by an Act of God;
- h) a modification was made to the product without manufacturer's consent;
- i) defects result from improper storage of the product;
- j) defects result from natural and common operating wear of the product;
- k) the product was connected to or operated with the equipment not approved by the manufacturer.

**Complaints:**

Complaints are applicable by purchasers at the seller's. When applying a complaint, the purchaser is obliged to submit a duly filled in letter of guarantee. Warranty repairs are carried out by sellers or by special service shops appointed by them.

**Legislation:**

Other purchaser/seller relations are ruled by relevant stipulations of the Civil Code No. 47/1992 Gaz., and/or Commercial Code No. 513/1991 Gaz. as amended.

|  |   |
|--|---|
| <p><b>Warranty inspection 1</b><br/>Date: .....Person in charge:.....</p> <p>Service shop stamp and signature</p>  | <p><b>Warranty inspection 1</b><br/>Machine model.....<br/>Serial No.:.....</p>   |
| <p><b>Warranty inspection 2</b><br/>Date:.....Person in charge:.....</p> <p>Service shop stamp and signature</p>   | <p><b>Warranty inspection 2</b><br/>Machine model.....<br/>Serial No.:.....</p>   |
| <p><b>1<sup>st</sup> Warranty service</b><br/>Date of complaint delivery:.....<br/>Date of repair:.....<br/>Brief description of the defect.....<br/>.....<br/>Replaced parts (new warranty of ... months):.....<br/>Parts:.....<br/>.....<br/>Repair made by: .....</p> <p>Service shop stamp and signature</p>   | <p><b>1<sup>st</sup> Warranty service</b><br/>Machine model.....<br/>Serial No.:.....<br/>Date:.....<br/>Repair made by:.. ..<br/>.....<br/>Stamp and signature.....<br/>.....</p>  |
| <p><b>2<sup>nd</sup> Warranty service</b><br/>Date of complaint delivery:.....<br/>Date of repair:.....<br/>Brief description of the defect:.....<br/>.....<br/>Replaced parts (new warranty of ... months):.....<br/>Parts:.....<br/>.....<br/>Repair made by: .....</p> <p>Service shop stamp and signature</p>  | <p><b>2<sup>nd</sup> Warranty service</b><br/>Machine model.....<br/>Serial No.:.....<br/>Date:.....<br/>Repair made by:.....<br/>.....<br/>Stamp and signature:.....<br/>.....</p> |
| <p><b>3<sup>rd</sup> Warranty service</b><br/>Date of complaint delivery:.....<br/>Date of repair:.....<br/>Brief description of the defect:.....<br/>.....<br/>Replaced parts (new warranty of ... months): .....<br/>Parts:.....<br/>.....<br/>Repair made by: .....</p> <p>Service shop stamp and signature</p> | <p><b>3<sup>rd</sup> Warranty service</b><br/>Machine model.....<br/>Serial No.:.....<br/>Date:.....<br/>Repair made by:.....<br/>.....<br/>Stamp and signature:.....<br/>.....</p> |
| <p><b>4<sup>th</sup> Warranty service</b><br/>Date of complaint delivery:.....<br/>Date of repair:.....<br/>Brief description of the defect:.....<br/>.....<br/>Replaced parts (new warranty of ... months):.....<br/>Parts:.....<br/>.....<br/>Repair made by:.....</p> <p>Service shop stamp and signature</p>   | <p><b>4<sup>th</sup> Warranty service</b><br/>Machine model.....<br/>Serial No.:.....<br/>Date:.....<br/>Repair made by:.....<br/>.....<br/>Stamp and signature:.....<br/>.....</p> |